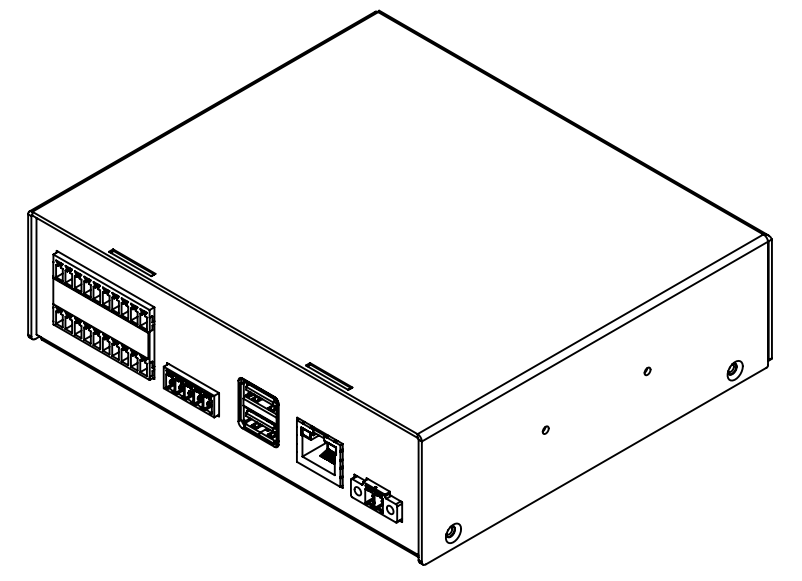
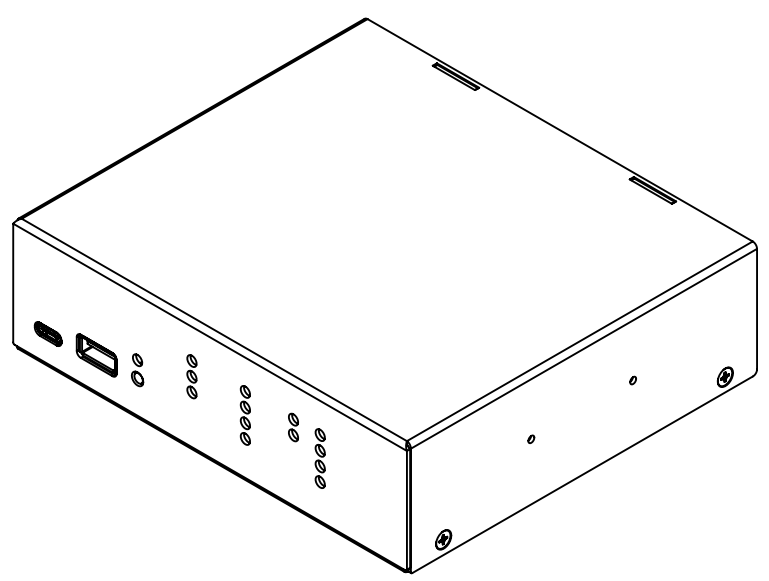
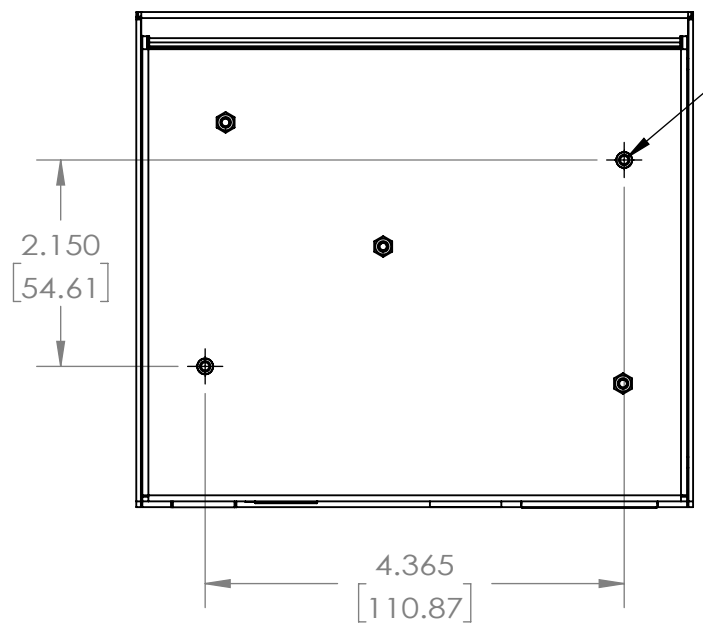
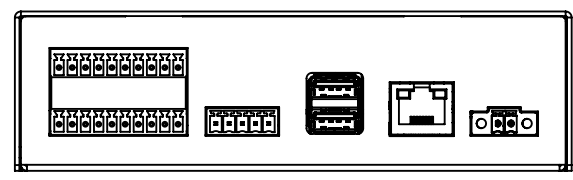
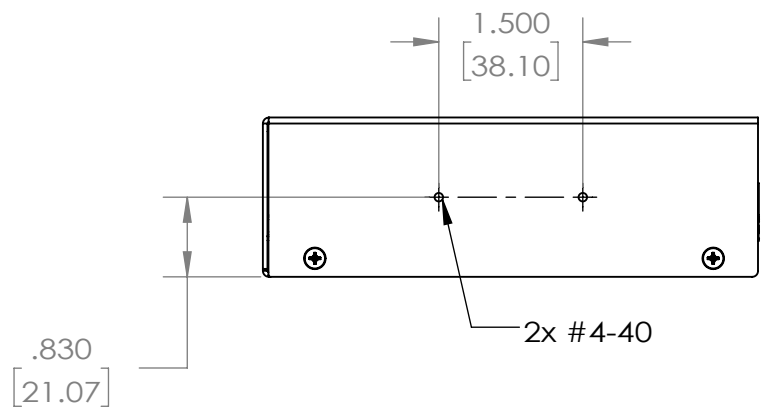
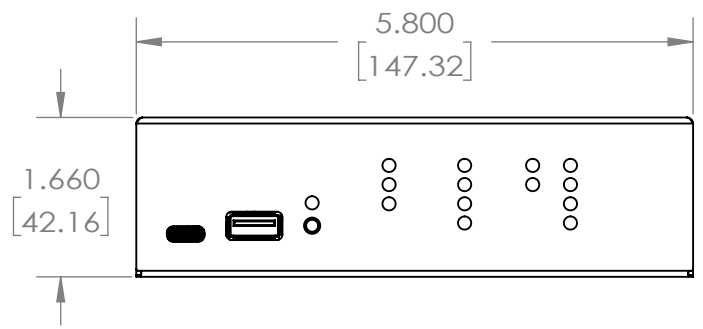
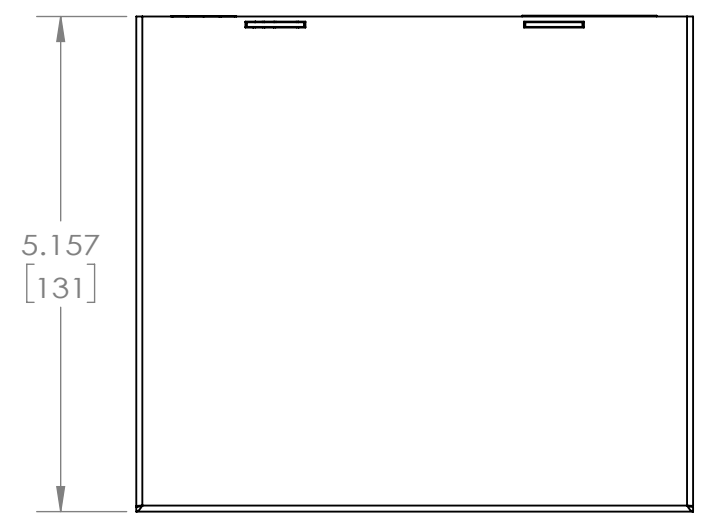


REVISION HISTORY			
DATE	REV.	DESCRIPTION	BY
2023/9/28	A	INITIAL RELEASE	PXiong



NOTES:  
 1. Unit: inch / [mm]  
 2. Detailed dimension refer to DXF/DWG file

2023 © HARMAN INTERNATIONAL INDUSTRIES, INCORPORATED. ALL RIGHTS RESERVED. DO NOT USE, DISCLOSE, SELL, REPRODUCE, PUBLISH OR MODIFY WITHOUT AUTHORIZED WRITTEN HARMAN PERMISSION.

**ROHS**  
 RESTRICTION OF HAZARDOUS SUBSTANCES  
 ALL MATERIALS USED IN THIS PART MUST BE ROHS COMPLIANT  
 SUPPLIER SHALL PROVIDE A CERTIFICATE OF ROHS COMPLIANCE WITH THE FIRST ARTICLE.

THIRD ANGLE PROJECTION

DRAWN BY  
PXiong

DESIGNED BY

PROJECT MANAGER/ENGINEER

DATE  
2023/9/28

DATE

DIMENSIONS SHOWN ARE FOR REFERENCE AND INSPECTION ONLY. REFER TO CAD MODEL PROVIDED WITH THIS DRAWING FOR OVERALL DEFINITION OF PART GEOMETRY.

**HARMAN**

TITLE  
DWG, PICTORIAL, MU-1300

NO.  
AMX-CCC013\_PICTORIAL

SCALE  
1:2

DO NOT SCALE DRAWING

SHEET 1 OF 1

REV  
A