

# PCC130 PCC130 SW

## PHASE COHERENT CARDIOID® MICROPHONE



The AKG/Crown PCC130 is a surface-mounted miniature cardioid microphone of professional quality. This handsomely styled unit is appropriate for use on the most elegant boardroom table or lectern. Other applications include churches, courtrooms and teleconferencing.

The PCC130 has the same performance as the PCC170, but is smaller, so it is less conspicuous on a conference table. Because of its highly directional pickup pattern, the PCC130 minimizes background noise and feedback.

The microphone uses the principle of phase coherency achieved by mounting a small-diameter mic capsule very near a boundary. Direct and reflected sound waves arrive at the mic in-phase, and add coherently. This enhances sensitivity, clarity and reach.

Self-contained electronics eliminate the need for an in-line power module. Powered by 12-48V phantom power, the PCC130 has a low-impedance balanced output which permits long cable runs without hum pickup or high-frequency loss.

Capable of withstanding up to 120 dB SPL without distortion, the PCC130 will never overload in practical use. Its electret-condenser capsule provides a wide, smooth frequency response from 50 Hz to 20 kHz. RFI suppression is included. Self-noise is low and sensitivity is very high. A bass-tilt switch allows the user to tailor the low-end response for particular applications.

Permanent mounting is enabled by screw holes in the base. Engineering attention-to-detail has assured years of reliable use from this trouble-free microphone.

The PCC130 SW (right) has a silent-operating programmable membrane switch that can be configured for touch ON/OFF, momentary ON or momentary OFF. A high-intensity LED lights when the unit is on.

For easy installation, both microphones offer an XLR connector and a detachable cable.

The bottom of the microphone features a three-position BASS-TILT switch: FLAT, CUT, and BOOST. Low-frequency response is adjustable as shown in Fig. 1.

### Installation

Typical placement for each microphone is at arm's length from the user. Either place one microphone in front of each person or one between every two people. The front of the microphone is indicated by an arrow on the bottom of the base plate.

If the microphone is used on a lectern, place it on an open surface, not in a cavity. Otherwise the frequency response and polar pattern will be degraded. Set BASS-TILT to BOOST.

### Specifications

**Type:** Phase Coherent Cardioid®.

**Element:** Electret condenser.

**Frequency response (typical):** 50 Hz to 20,000 Hz at 30 degrees incidence to surface (see Fig. 1).

**Polar pattern:** Half-cardioid (cardioid in the hemisphere above the mounting surface). See Figs. 2 and 3.

**Impedance:** 150 ohms nominal (85 ohms actual), balanced, (recommended load impedance 1000 ohms or greater).

**Open circuit sensitivity (typical):** 22 mV/Pa\* (-33 dB re 1 volt/Pa).

**Power sensitivity:** -30.5 dB re 1 mW/Pa\*.

EIA rating: -125 dBm.

**Equivalent noise level (self-noise):** 22 dB SPL typical (0 dB = .0002 dyne/cm<sup>2</sup>), A-weighted.

**S/N ratio:** 72 dB at 94 dB SPL.

**Maximum SPL:** 120 dB SPL produces 3% THD.

**Polarity:** Positive pressure on the diaphragm produces positive voltage on pin 2 with respect to pin 3.

**Operating voltage:** Phantom power, 12 to 48 volts DC on pins 2 and 3 with respect to pin 1.

**Current drain:** 4 mA nominal.

**Connector:** Switchcraft TB3M in model PCC130.

**Cable:** 15-foot, black, two-conductor shielded cable with Switchcraft TA3F and A3M connectors.

**Switch:** Slide switch for bass cut, bass boost, or flat.

**Materials:** High-impact molded plastic and steel mesh grille.

**Finish:** Satin black (PCC130)

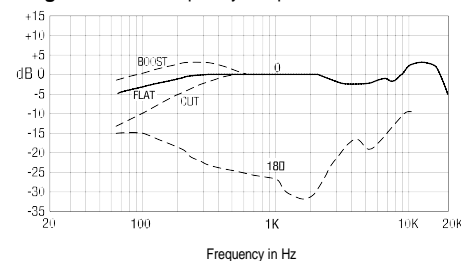
**Net weight:** 3.5 oz. (99 g). Mic and cable: 9.5 oz. (269 g).

**Dimensions:** See Fig. 5.

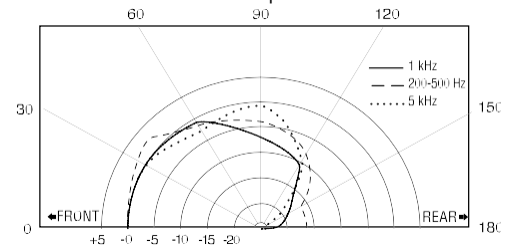
**Optional accessories:** AKG/Crown PH1A phantom power supply (single channel, battery or AC adapter powered), AKG/Crown PH4B phantom power supply (4 channels, AC powered).

\*1 pascal = 10 dynes/cm<sup>2</sup> = 10 microbars = 94 dB SPL.

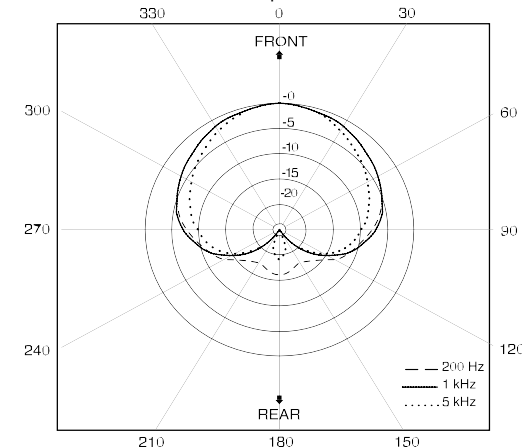
**Fig. 1** Frequency Response



**Fig. 2** Vertical-Plane Polar Response

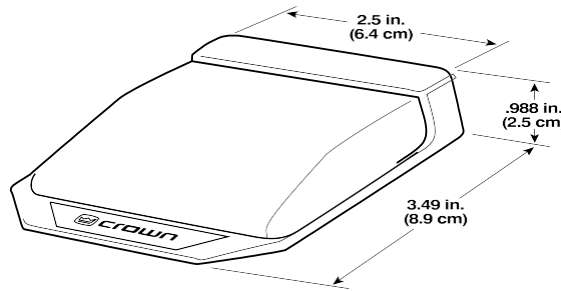


**Fig. 3** Horizontal-Plane Polar Response



# PCC130 PCC130 SW

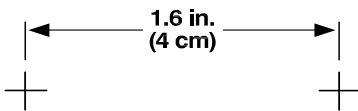
Fig. 5



The PCC includes two keyhole slots in its base to accept mounting screws for permanent mounting. To screw the PCC to a table top, follow this procedure:

1. Punch out the keyholes marked on the label underneath the base plate (use a razor blade, small screwdriver, etc.).
2. Using the template below (Fig. 6), mark the location of two holes in the table where you want to mount the mic. These holes are 1.6 inch (4 cm) apart, center-to-center. They are 1.56 inches (3.96 cm) from the rear of the mic.

Fig. 6



3. Screw two #8 woodscrews (0.27-in. (7-mm) dia. head) into the table at the locations you marked.

### Architects' and Engineers' Specifications

The microphone shall be the AKG/Crown Model PCC130 or equivalent. The microphone shall be a half-cardioid electret condenser type, utilizing a subminiature transducer of rugged construction.

The microphone shall employ the principle of phase coherency achieved by mounting a small-diameter element very near a boundary, thus eliminating comb filtering in the audible spectrum. The microphone will exhibit excellent off-axis response and gain-before-feedback.

A 15-foot (4.6 m), two-conductor shielded cable with TA3F and A3M connectors shall be supplied with the microphone.

Nominal sensitivity shall be 22 mV/Pa. Maximum SPL shall be 120 dB SPL for 3% THD. Equivalent noise shall be 22 dBA nominal. Frequency response shall be 50 Hz to 20,000 Hz with a uniform off-axis response, over 20 dB down at the rear null.

The AKG/Crown PCC130 is specified.

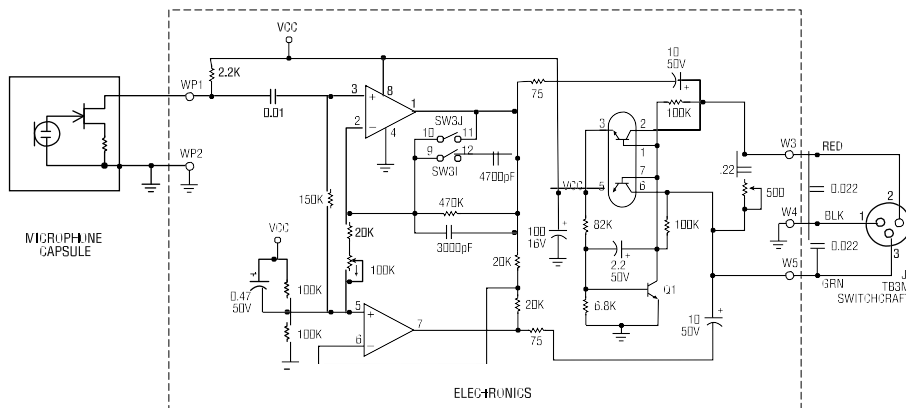
### Service

If the microphone does not function properly, check that it is aimed correctly and is configured and connected as described in this data sheet.

If there is hum or no signal, first repair or replace the cable. If you determine that the microphone product is defective, return the complete product in its original packaging to one of the addresses below. For further assistance or technical support call the international helpdesk at **+43 676 83200 888**.

### Warranty

AKG/Crown professional microphones are guaranteed unconditionally against malfunction from any cause for a period of three years from date of original purchase. See enclosed warranty sheet for additional information.



PCC130 Schematic

**HARMAN**

**AKG ACOUSTICS GMBH**  
LAXENBURGERSTRASSE 254  
1230 VIENNA  
AUSTRIA

**AKG ACOUSTICS, U.S. SERVICE**  
24950 GROVE VIEW ROAD  
MORENO VALLEY, CA 92551  
U.S.A

© 2015 HARMAN International Industries, Incorporated. All rights reserved. AKG is a trademark of AKG Acoustics GmbH, registered in the United States and/or other countries. Features, specifications and appearance are subject to change without notice.

[www.agg.com](http://www.agg.com)