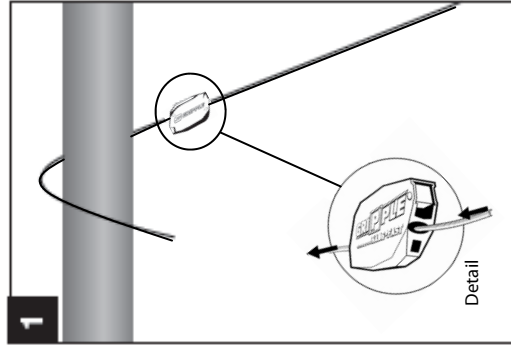
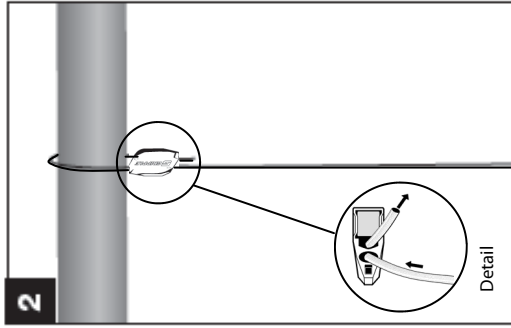


**CAUTION: Installation must be done by qualified persons using safe rigging standards.**

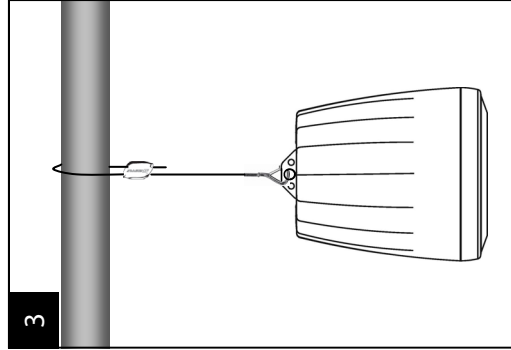
Use equipment only in accordance with manufacturer's instructions. Do not alter or modify. Do not use equipment if the equipment is not functioning correctly or if the equipment is defective



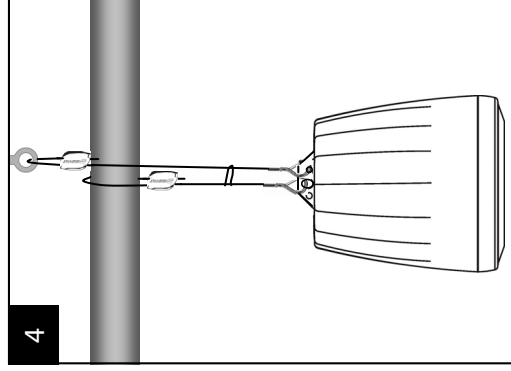
1. Thread Gripples onto cable (see inset detail). Pass over ceiling anchor point (as shown) or through other secure anchor point of the building structure. Installer is responsible for ensuring that anchor point is secure to building structure.



2. Pass tail end of cable through the other channel of the Gripples (see inset detail).

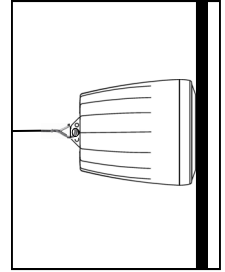


3. With speaker supported, snap main support hook hanger onto the center hole in the top bracket of the speaker. Adjust to proper height by pulling cable through either end of Gripples.



4. Snap secondary support safety cable hook hanger onto one of the side holes in the top bracket of the speaker, and attach the top to a different ceiling support point of the building structure, per Steps 1 & 2. After height adjustment is final, trim any unneeded extra cable tail wires with trimmer suitable for 2 mm (0.077 in) diameter stranded aircraft-type cable.

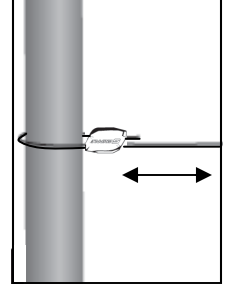
**How to use Release Key to adjust height of speaker:**



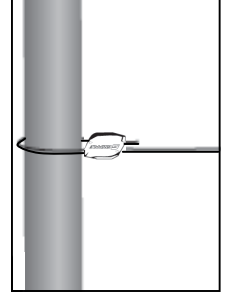
1. Make sure the load is supported.



2. Insert key into small hole at top of Gripples. Push in 1/4" to release the cable.



3. Adjust height.



4. Remove key and re-secure the load.

## See Other Side for Speaker Installation Instructions



### MANUFACTURER'S RECOMMENDATIONS

Load – Do not exceed the Safe Working Load (SWL) of the GripplE. The SWL of the GripplE product included with this loudspeaker is 45 kg (100 lbs).

No lifting – Do not use for lifting, such as in a crane or pulley situation.

No movement – GripplE hangers are to be used to suspend static loads only. Do not use to suspend moving services, or services likely to be subject to movement.

No joining – GripplE hangers must not be spliced together using a GripplE fastener, or any other joining device. A GripplE hanger assembly must comprise one length of cable and one GripplE fastener only. If a longer length is needed, do not attempt to join two assemblies together.

Limitations of use – All GripplE hangers, accessories, and other GripplE products must only be used for suspending items recommended by the manufacturer.

Painting – If painting, ensure that a GripplE Décor Cover is applied to the GripplE fastener before painting to protect from the ingress of paint. Do not move the GripplE fastener on the cable after painting.

Building codes – Compliance with local codes, and where applicable national codes, is the buyer and/or installers responsibility.

Not for re-use – GripplE hangers are designed for permanent installations, not for re-use.

Lubricants – Do not apply oil or any other lubricant to any part of the assembly.

Not for seismic bracing – For GripplE products that have been tested and approved for seismic restraint applications, please refer to the GripplE Seismic product line.

Round duct/pipes – When wrapping around duct or other round pipes, do not exceed an angle of 60 degrees between the top of the pipe and the GripplE.

Environment – Standard GripplE hangers may be used only in dry locations. Stainless steel GripplE hangers may be used in certain indoor corrosive environments such as properly ventilated swimming pool arenas.

Failure to observe these usage instructions may result in product malfunction, resulting in property damage and bodily injury. At time of shipment GripplE products are warranted to conform to the manufacturer's published specifications and to be free from defects in material and workmanship. No other warranty, whether expressed or implied, including any warranty of merchantability or fitness for purpose, whether expressed or implied, shall exist in connection with the sale or use of any GripplE product.

For further technical assistance in the use of this GripplE suspension product, please contact:  
GripplE Inc. 1611 Emily Lane Aurora, IL 60502 1-630-406-0600 [www.gripplE.com](http://www.gripplE.com)



JBL Professional  
8500 Balboa Blvd  
Northridge, CA 91329  
USA