



PD743i

High Output Full Range loudspeakers System

Features:

- ▶ 2-way very high output mid-high loudspeaker system
- ▶ Dual JBL 2432H, 38 mm (1.5 in) exit compression driver, 75 mm (3 in) voice coil
- ▶ Dual JBL CMCD-82H Cone Midrange Compression Driver with integral 200 mm (8 in) diameter Differential Drive® dual voice coil - dual magnetic gap
- ▶ 40° by 30° Coverage Pattern
- ▶ Rugged DuraFlex™ exterior finish with WRC and WRX weather protections also available



Applications:

- ▶ Stadiums
- ▶ Ball Parks
- ▶ Arenas
- ▶ Race Tracks

The PD743i Precision Directivity™ 2-way mid-high, horn-loaded loudspeaker provides high-impact sound reinforcement at throw distances that are beyond the reach of single-driver designs. A single module produces greater than 104 dB SPL (continuous) at distances of 50 m (165 ft).

The PD743i may be used in clusters with other PD family modules or singly as part of a distributed system. The PD743i has the same mid-high features as the PD743i-215 so they can work seamlessly together.

Specifications:

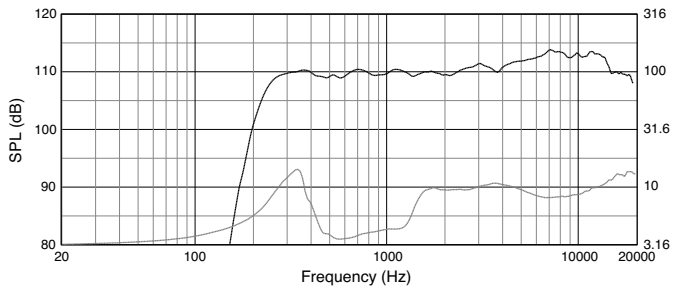
Frequency Range ¹ (+/-10 dB):	200 Hz to 19.5 kHz
Frequency Response (+/-3 dB):	230 Hz - 18.5 kHz
Coverage Pattern:	40° x 30°
Directivity Index:	16 dB
System Sensitivity ² (1W @ 1m):	Passive Mid-High: 110 dB SPL
Maximum Peak SPL ³ :	MHF - 142 dB Peak Passive Mode
System Power Rating (IEC):	MHF - 400 W (1600 W Peak)
Crossover Frequencies:	1.3 kHz
High Frequency Driver:	2 x JBL 2432H, 38 mm (1.5 in) exit compression driver, 75 mm (3 in) voice coil
Nominal Impedance:	4 Ohms Passive
DSP:	Custom DSP for Crown ITHD and IT4x3500HD amplifiers
Transducers:	
Midrange Frequency Driver:	2 x JBL CMCD-82H midrange driver with 200 mm (8 in) diameter Differential Drive® dual 75 mm (3 in) voice coil
Physical:	
Enclosure:	Trapezoidal with Rectangular sides, combination of 18 mm and 16 mm (5/8 in) exterior grade birch plywood.
Enclosure WRC/WRX Version:	For direct exposure or extreme environments, fiberglassed with stainless steel hardware.
Grille:	Black powder coated zinc treated 14 gauge perforated steel with black foam backing.
Grille WRC/WRX Version:	Three layer grille assy consisting of 16-gauge powder coated S.S., backed with O.C. foam and S.S. mesh.
Input Connector:	NL4 Neutrik Speakon® and CE-compliant covered barrier strip terminals. Barrier terminals accept up to 5.2 sq mm (10 AWG) wire or max width 9 mm (.375 in) spade lugs. Speakon in parallel with barrier strip for loop-through (WRC/WRX models ship with a 20' cable).
Input Connectors WRC/WRX Version:	2 conductor 16 awg direct burial cable assy 20 ft length (or length TBD)
WRC/WRX Environmental Specifications:	IP55
Suspension Attachment:	32 total points (7 top and bottom, 7 each side, 4 back), M10 threaded hardware
Dimensions (H x W x D):	991 mm x 991 mm x 1145.8 mm (39.0 x 39.0 x 45.1 in)
Net Weight	245 lbs (111.4 kg)

¹ With recommended DSP

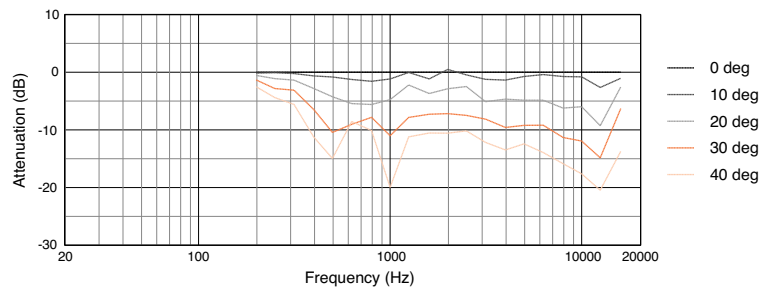
² Peak, unweighted SPL, measured under full-space conditions at 1 meter using broadband pink noise with 12 dB crest factor.

³ IEC Standard: IEC shaped pink noise with 6dB crest factor based on nominal impedance and a duration of 100 hours.

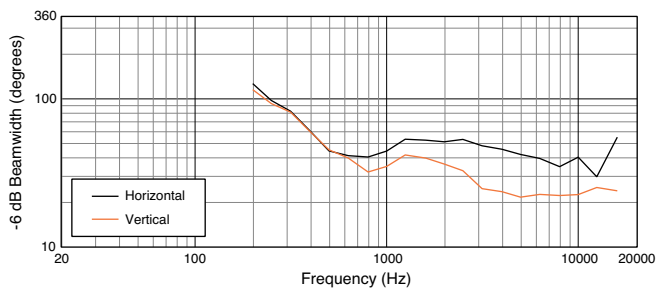
Frequency Response & Impedance With Recommended DSP



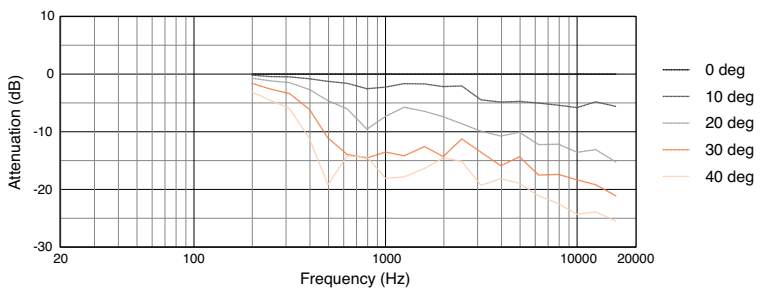
Horizontal Off Axis Frequency Response



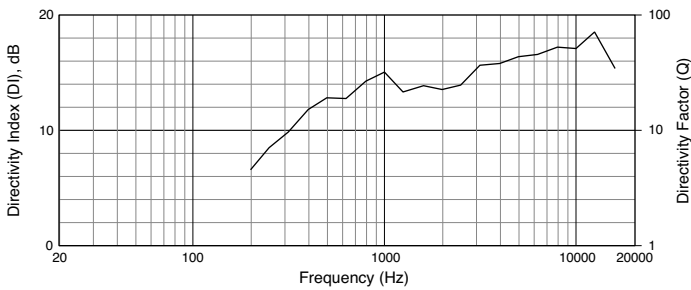
Beamwidth



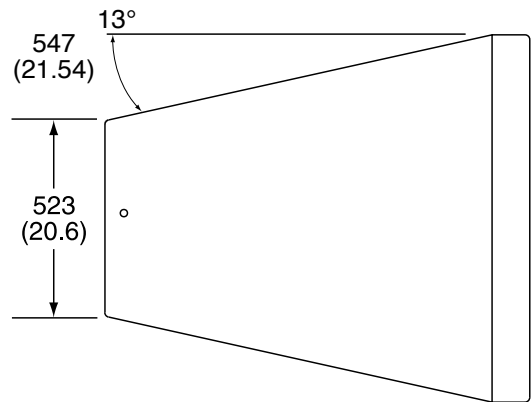
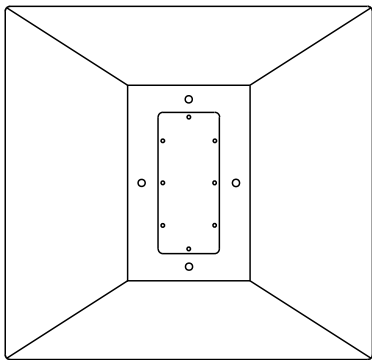
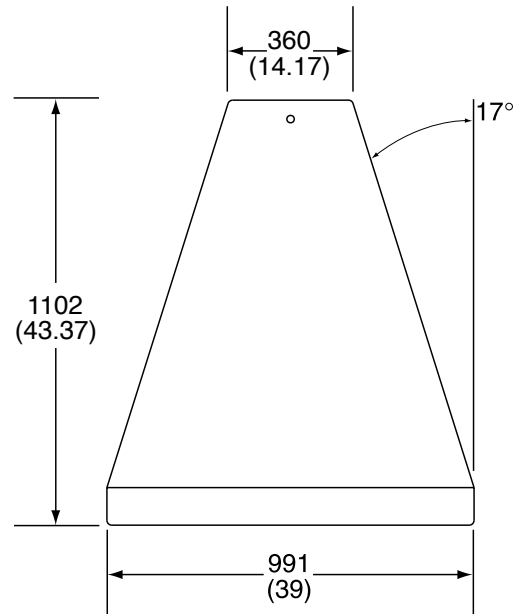
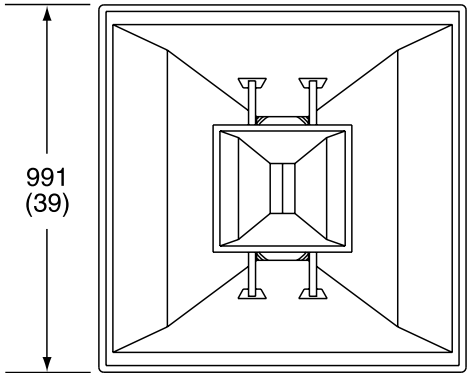
Vertical Off Axis Frequency Response



Directivity Index Q



Dimensions:



JBL Professional
8500 Balboa Boulevard, P.O. Box 2200
Northridge, California 91329 U.S.A.
© Copyright 2017 JBL Professional
www.jblpro.com