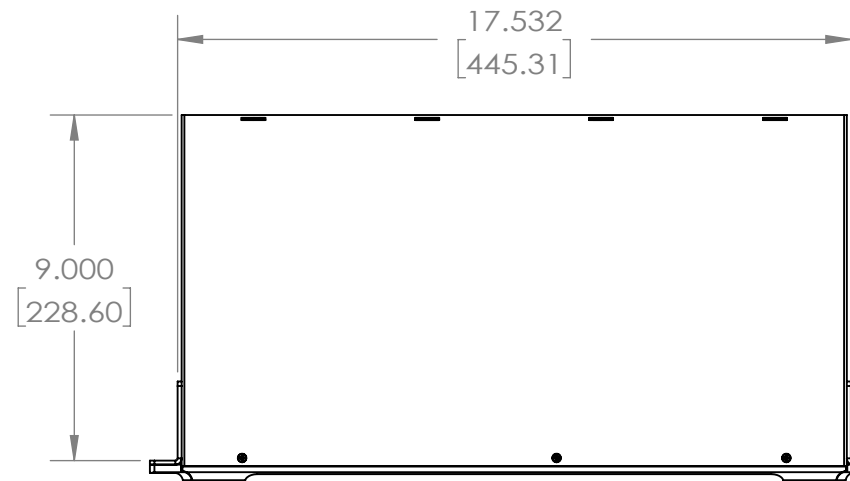
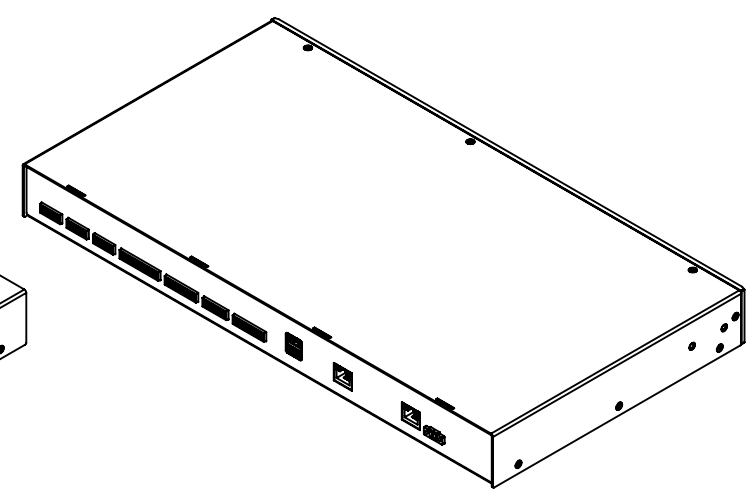
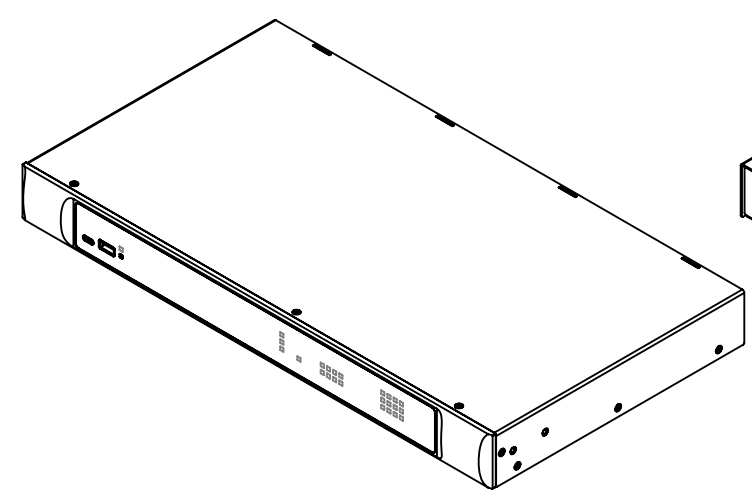
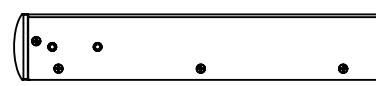
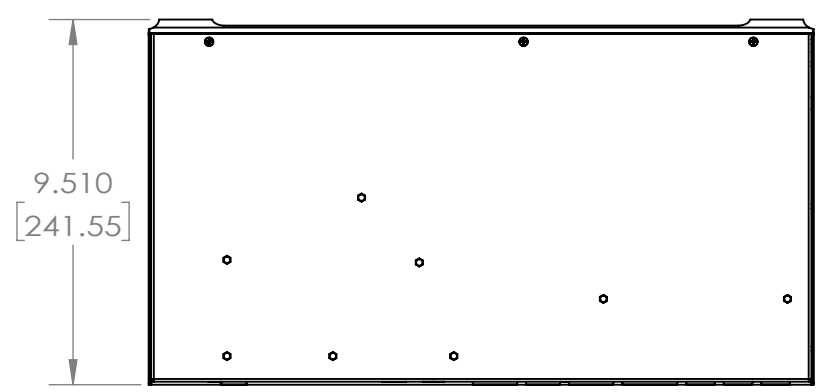
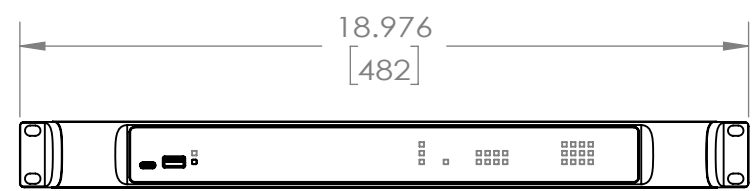


| REVISION HISTORY | | | |
|------------------|------|-----------------|--------|
| DATE | REV. | DESCRIPTION | BY |
| 2023/9/28 | A | INITIAL RELEASE | PXiong |



Mounting bracekts are not installed when shippment



NOTES:
 1. Unit: inch / [mm]
 2. Detailed dimension refer to DXF/DWG file

| | | | | | | |
|--|----------------------------|---|---------------------|------------------------------------|-------------------|----------------|
| <small>2023 © HARMAN INTERNATIONAL INDUSTRIES, INCORPORATED. ALL RIGHTS RESERVED. DO NOT USE, DISCLOSE, SELL, REPRODUCE, PUBLISH OR MODIFY WITHOUT AUTHORIZED WRITTEN HARMAN PERMISSION.</small> ROHS <small>RESTRICTION OF HAZARDOUS SUBSTANCES ALL MATERIALS USED IN THIS PART MUST BE ROHS COMPLIANT SUPPLIER SHALL PROVIDE A CERTIFICATE OF ROHS COMPLIANCE WITH THE FIRST ARTICLE.</small> | THIRD ANGLE PROJECTION | HARMAN TITLE DWG, PICTORIAL, MU-2300 | | | | |
| | | DRAWN BY PXiong | DATE 2023/9/28 | NO. AMX-CCC023_PICTORIAL | REV A | |
| <small>DIMENSIONS SHOWN ARE FOR REFERENCE AND INSPECTION ONLY. REFER TO CAD MODEL PROVIDED WITH THIS DRAWING FOR OVERALL DEFINITION OF PART GEOMETRY.</small> | PROJECT MANAGER/ENGINEER | SIZE B | SCALE 1:5 | DO NOT SCALE DRAWING | SHEET 1 | OF 1 |