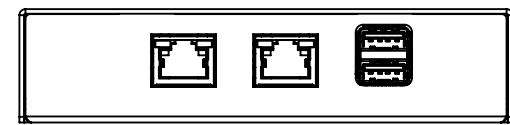
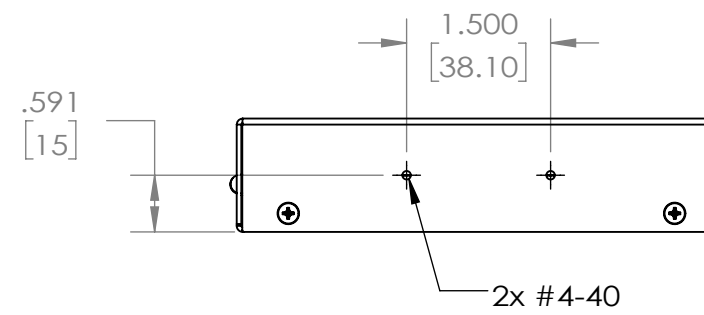
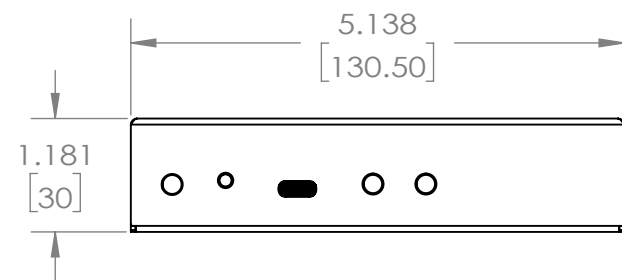
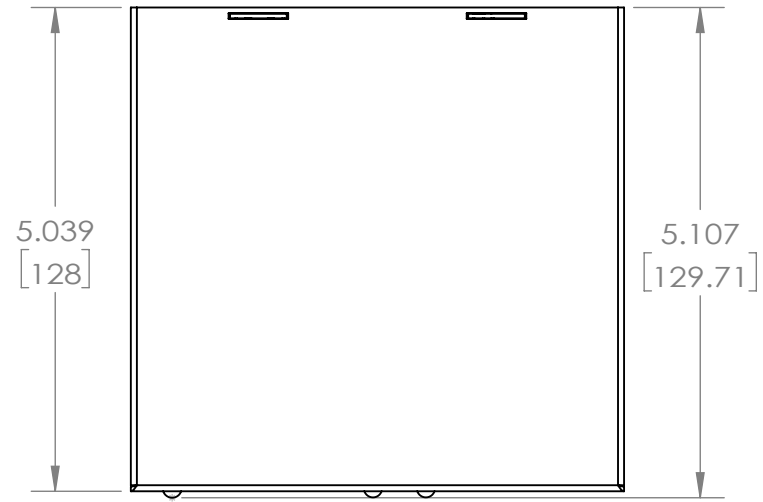
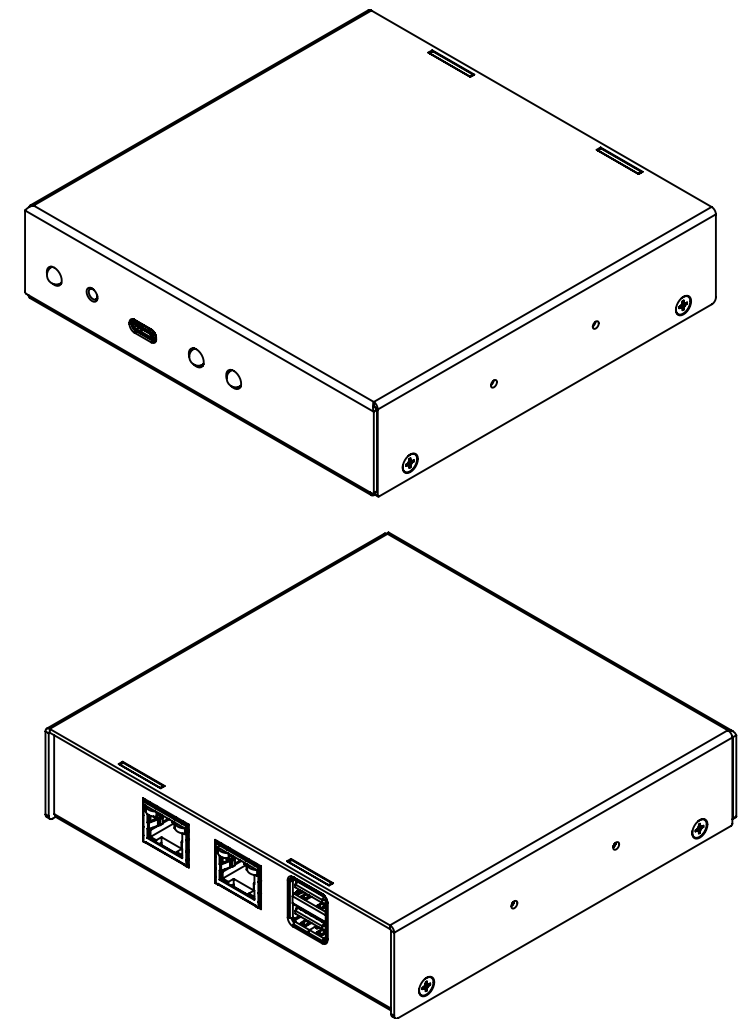


REVISION HISTORY			
DATE	REV.	DESCRIPTION	BY
2023/9/28	A	INITIAL RELEASE	PXiong



BACK VIEW



- NOTES:
- Unit: inch / [mm]
  - Detailed dimension refer to DXF/DWG file

2023 © HARMAN INTERNATIONAL INDUSTRIES, INCORPORATED. ALL RIGHTS RESERVED. DO NOT USE, DISCLOSE, SELL, REPRODUCE, PUBLISH OR MODIFY WITHOUT AUTHORIZED WRITTEN HARMAN PERMISSION.

**ROHS**  
RESTRICTION OF HAZARDOUS SUBSTANCES  
ALL MATERIALS USED IN THIS PART MUST BE ROHS COMPLIANT  
SUPPLIER SHALL PROVIDE A CERTIFICATE OF ROHS COMPLIANCE WITH THE FIRST ARTICLE.

THIRD ANGLE PROJECTION

DRAWN BY  
PXiong

DESIGNED BY

PROJECT MANAGER/ENGINEER

DATE  
2023/9/28

DATE

DIMENSIONS SHOWN ARE FOR REFERENCE AND INSPECTION ONLY. REFER TO CAD MODEL PROVIDED WITH THIS DRAWING FOR OVERALL DEFINITION OF PART GEOMETRY.

DATE  
2023/9/28

DATE

**HARMAN**

TITLE  
DWG, PICTORIAL, MU-1000

NO. AMX-CCC000\_PICTORIAL REV A

SIZE B SCALE 1:2 DO NOT SCALE DRAWING SHEET 1 OF 1